



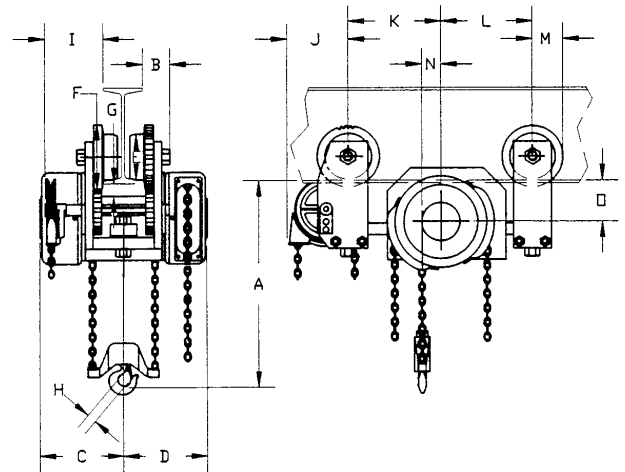
Yale Load King, LRP2 & LRG2 Close Headroom, Swivel Truck Trolley Hoists

Capacity range: 1/4 – 6 ton

The Yale Load King Swivel Truck close Headroom Trolley Hoist provides an absolute minimum distance from the bottom of the runway beam to the saddle of the load hook in the fully raised position.

Our Swivel Truck Close Headroom incorporates two compact physical dimensions, and the ability to travel extremely short radius curves. Runways can be located closer to walls than would otherwise be possible, with units of heavier and bulkier construction. The Swivel Truck is ideal for patented monorail, especially when required for use with switches, turntables and interlocks.

CUSTOMER MUST TAKE INTO CONSIDERATION FLANGE WIDTH AND THICKNESS. DIMENSIONS SHOWN ARE ACCURATE FOR ANY "S" OR "WF" BEAM. FLAT TREAD WHEELS (NOT SHOWN) SUPPLIED FOR "WF" BEAM APPLICATIONS



Clearance Dimensions (in.)

Capacity	Maximum Flange Width And Thickness for Straight Track	Maximum Flange Width And Thickness for Minimum Radius Track
1/4	5 3/8" WIDE X 1/2" THICK	3 3/8" WIDE X 1/2" THICK
1/2	5 3/8" WIDE X 1/2" THICK	3 3/8" WIDE X 1/2" THICK
1	5 3/8" WIDE X 1/2" THICK	3 3/8" WIDE X 1/2" THICK
1 1/2	6" WIDE X 5/8" THICK	4" WIDE X 1/2" THICK
2	6" WIDE X 5/8" THICK	4" WIDE X 1/2" THICK
3	6" WIDE X 5/8" THICK	5 1/8" WIDE X 5/8" THICK
4	6" WIDE X 5/8" THICK	5 1/8" WIDE X 5/8" THICK
5	8" WIDE X 7/8" THICK	7 1/8" WIDE X 7/8" THICK
6	8" WIDE X 7/8" THICK	7 1/8" WIDE X 7/8" THICK

Specifications

Catalog Number		Standard Lift	Capacity in Tons	Minimum Radius Curve	Minimum Beam Size*	Distance From Beam To Hook Saddle Headroom	Chain Pull To Lift Full Load Lbs.	Chain Overhaul To Lift Load One Foot	Net Weight, Lbs.	
LRP2 Plain	LRG2 Geared								Plain	Geared
923-01400	923-01500	8'	1/4	21"	S5" x 10.0#	6 3/16"	17	33 ft.	127	144
923-03400	923-03500	8'	1/2	21"	S5" x 10.0#	6 3/16"	35	33 ft.	127	144
923-05400	923-05500	8'	1	21"	S5" x 10.0#	6 3/16"	70	33 ft.	127	144
923-06400	923-06500	8'	1 1/2	30"	S6" x 12.5#	6 3/4"	57	66 ft.	245	267
923-07400	923-07500	8'	2	30"	S6" x 12.5#	6 3/4"	76	66 ft.	251	270
923-09400	923-09500	8'	3	42"	S8" x 18.4#	8 1/4"	42	170 ft.	345	375
923-11400	923-11500	8'	4	42"	S8" x 18.4#	9 1/4"	58	170 ft.	350	380
923-13400	923-13500	8'	5	48"	S10" x 25.4#	9 15/16"	73	170 ft.	466	496
923-14400	923-14500	8'	6	48"	S10" x 25.4#	9 15/16"	90	170 ft.	466	496

Beam size and curve radius must always be specified when ordering

* Note: Min. beam for wheel clearance only. Customer must verify their beam is adequate for the applied loading.

Curve radius must always be specified when ordering. Each unit is set for a specified flange width and is not adjustable

Capacity in Tons	A	B	C	D	E	F	PLAIN G	GEARED G	H	I	J	K	L	M	N	O
1/4 THRU 1	6 3/16	2	6 9/16	6 9/16	3 3/4	5	7/8	7/8	3 1/32	4 1 1/16	3 3/4	7 1/4	6 1/2	2 1/2	1 3/8	2 15/16
1 1/2 AND 2	6 3/4	2 3/16	8 1 1/16	8 1 1/16	4 1/2	6	5/8	5/8	1 1/8	7 3/16	6 1/4	11 3/8	7 5/8	3	3	1 1/16
3	8 1/4	2 9/16	9 7/8	9 7/8	6 3/8	8	15/16	15/16	1 11/32	8 1/8	6 1/8	11 9/16	7 1 1/16	4	3	3 7/16
4	9 1/4	2 9/16	9 7/8	9 7/8	6 3/8	8	15/16	15/16	1 1 1/16	9 15/16	6 1/8	11 9/16	7 1 1/16	4	3	3 7/16
5	9 15/16	2 13/16	10 1/8	10 1/8	7 3/16	9	7/8	7/8	1 1 1/16	8 1/2	6 15/16	11 9/16	8 13/16	4 1/2	3	3 7/8
6	9 15/16	2 13/16	10 1/8	10 1/8	7 3/16	9	7/8	7/8	1 1 1/16	8 1/2	6 15/16	11 9/16	8 13/16	4 1/2	3	3 7/8

* Geared units only.

Hoists for wider flange widths than illustrated above may be possible. Consult factory.