

Yale Load King LH2 Hook Mount Hand Hoists

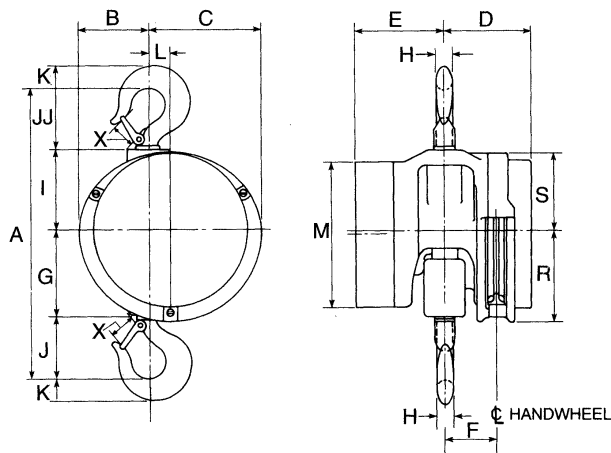
Capacity range: 1/4–4 ton

One of the most popular and reliable hoists ever designed, the Cyclone combines superior engineering, efficiency and durability. Available in a variety of capacities from 1/4 ton to 10 tons, Cyclone features:

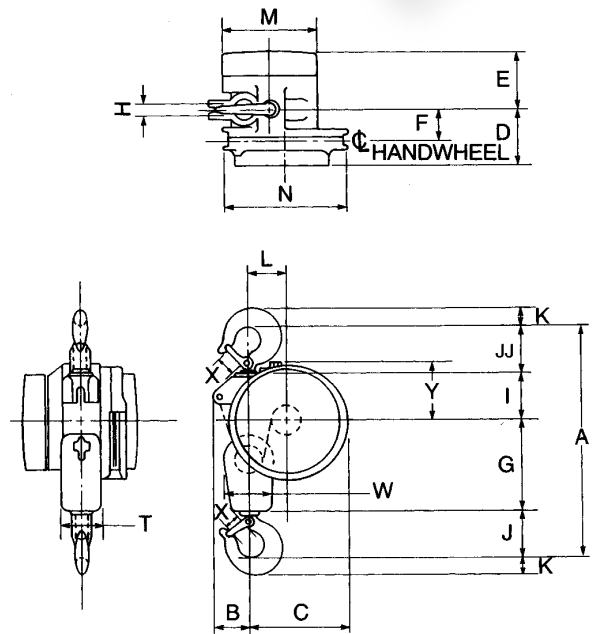
- Most interchangeability of parts in the industry
- Standard Load Limiter for simple, automatic overload protection
- Enclosed contoured Weston-type automatic brake for positive load control
- High-efficiency spur gearing for greater lift with minimum effort
- Rugged Hoistaloy chain for added strength and durability
- Fully machined, forged liftwheel pockets for easier lifting and smooth free chaining
- High-strength aluminum alloy castings in frame and covers
- Inspected over 75 times to meet or exceed HST/ASME/ANSI performance and safety standards
- Standard hand chain drop is 2 feet less than lift, (example: 8 foot lift hoist has 6 foot hand chain drop)
- Chain containers, zinc-plated load and hand chain aluminum unwelded hand chain, Latchlok hooks, bronze hooks, eye-type suspension, bullard hooks and units without Load Limiter optional, depending on capacity
- Lifetime warranty
- Metric rated
- Made in U.S.

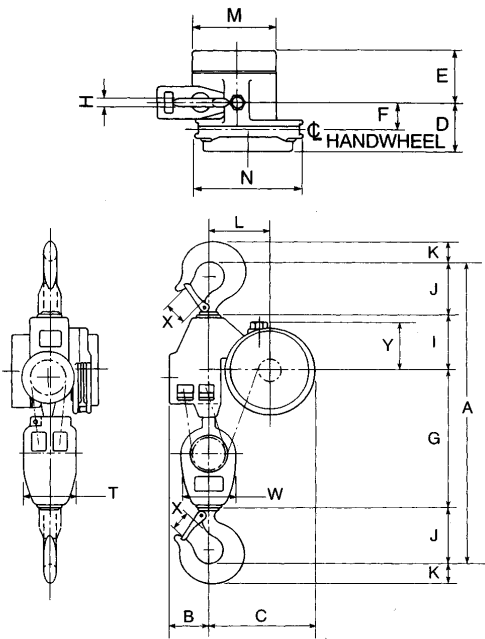


1/4 – 2 ton

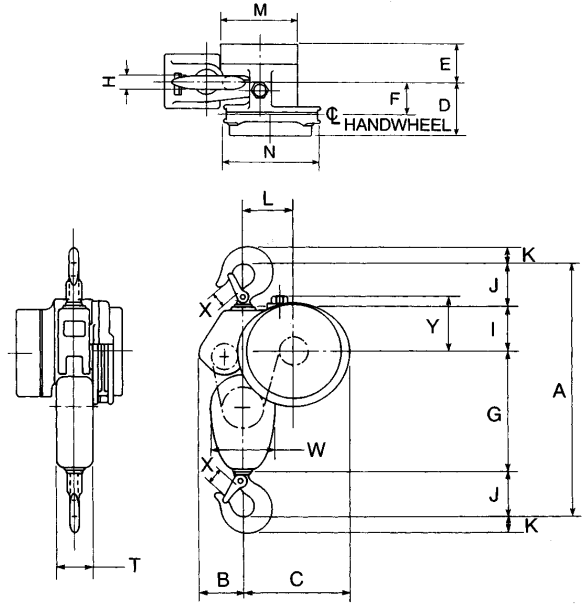


3 – 4 ton





8 - 10 ton



5 - 6 ton

Specifications

Rated Capacity* (Tons)	Product Code	Standard Lift† (ft.)	Reeving	Minimum Distance Between Hooks (in.)	Chain Overhauled to Lift Foot One Foot (ft.)	Chain Pull to Lift Full Load (lbs.)	Shipping Weight (lbs.)
1/4	924-02100	8	1	12 7/8	22 1/2	23	37
1/2	924-03100	8	1	12 7/8	22 1/2	46	37
1	924-05100	8	1	14	30	69	40
1 1/2	924-06100	8	1	17 5/16	40 1/2	80	65
2	924-07100	8	1	17 5/16	52	83	64
3	924-09100	8	2	21 1/2	81	85	96
4	924-11100	8	2	21 1/2	104	88	96
5	924-13100	8	3	24 1/4	156	75	128
6	924-14100	8	3	25 1/4	156	90	132
8	924-16100	8	4	34 1/2	208	89	235
10	924-17100	8	5	35 1/2	260	95	249

† Can be supplied with larger lifts.

Clearance Dimensions (in.)

Dimension	Rated Capacity* (tons)								
	1/4	1/2	1	1 1/2 & 2	3 & 4	5	6	8	10
A	12 7/8	12 7/8	14	17 5/16	21 1/2	24 1/4	25	34 1/2	35 1/2
B	3 11/16	3 11/16	3 11/16	4 3/16	3 5/16	4 3/16	4 3/16	4 3/4	4 3/4
C	7 3/16	7 3/16	7 3/16	6 11/16	8 15/16	10 5/16	10 5/16	12 3/4	12 3/4
D	4 1/8	4 1/8	4 1/8	5 1/16	5 1/16	4 7/8	4 7/8	5 13/16	5 13/16
E	3 1/4	3 1/4	3 1/4	4 13/16	4 13/16	5	5	4 1/16	4 1/16
F	2 1/16	2 1/16	2 1/16	3 3/8	3	2 15/16	2 15/16	3 3/4	3 3/4
G	3 7/8	3 7/8	3 3/4	5 3/16	8 1/4	11 13/16	11 13/16	17 3/16	17 3/16
H	1 1/16	1 1/16	1 3/16	1 1/8	1 1/4	1 1/4	1 3/8	1 11/16	1 13/16
I	3 3/4	3 3/4	3 3/4	4 13/16	4 1/4	4 3/16	4 3/16	6 1/16	6 1/16
J	2 5/8	2 5/8	2 15/16	3 5/8	4 1/8	4 1/8	4 5/8	5 5/8	6 1/8
JJ	2 5/8	2 5/8	3 9/16	3 11/16	4 7/8	---	---	---	---
K	1 5/16	1 5/16	1 1/8	1 1/2	1 11/16	1 11/16	1 7/8	2 1/4	2 1/16
L	1 3/4	1 3/4	1 3/4	1 1/4	3 1/2	4 7/8	4 7/8	7 5/16	7 5/16
M	7 1/16	7 1/16	7 1/16	8 5/8	8 5/8	8 5/8	8 5/8	8 5/8	8 5/8
N	---	---	---	---	10 7/8	10 7/8	10 7/8	10 7/8	10 7/8
R	5 7/16	5 7/16	5 7/16	5 7/16	---	---	---	---	---
S	4 11/16	4 11/16	4 11/16	4 11/16	---	---	---	---	---
T	---	---	---	---	3 7/8	4	4	6 3/8	6 3/8
W	---	---	---	---	4 1/2	6 1/4	6 1/4	6 1/16	6 1/16
X	1 1/32	1 1/32	1 1/8	1 5/16	1 3/4	1 5/8	1 3/4	2 1/16	2 5/16
Y	---	---	---	---	5 1/8	5 7/8	5 7/8	5 7/16	5 7/16